



# THE MF-101 SERIES

Operating and Service Manual

Series includes all variants of MF-101

**Issue B**  
**September 2016**



## TABLE OF CONTENTS

1. Description .....	3
2. Installation .....	3
3. Operation .....	4
4. Special Conditions for Safe Use .....	4
5. Hazardous Location Usage .....	4
6. Servicing and Maintenance.....	4
6.1. Servicing the MF-101 (Unbalanced Non-venting Design) .....	5
6.1.1. Accessing the Main Valve Assembly .....	5
6.1.2. Adjusting the Set Point .....	6
6.1.3. Figure 1 – Sectional View of the MF-101 Unbalanced Design.....	7
6.2. Servicing the MF-101 (Balanced Self Venting Design).....	8
6.2.1. Accessing the Main Valve Assembly .....	8
6.2.2. Figure 2 – Sectional View of the MF-101 Balanced Design .....	9
7. Technical Data.....	10
8. Warranty Statement .....	10

## 1. Description

The MF-101 is a single stage piston sensed pressure regulator with a large precision machined sensing element that provides excellent downstream pressure control up to a maximum of 35bar. The regulator has an unbalanced main valve and non-venting sensor assembly as standard, with a maximum working pressure of 100bar. A balanced model is also available, which accommodates a maximum working pressure of 414bar and is available with both venting and non-venting options. Each valve design will create a positive shut off on gas or liquid applications.

### Pressure Equipment Directive (PED) 2014/68/EC Declaration

This equipment is designed and manufactured in accordance with Sound Engineering Practice (SEP) Article 4, Paragraph 3 of the directive 2014/68/EC. As such, CE marking must not be applied. The equipment is marked under section 3.3 of Essential Safety Requirements of the directive.

## 2. Installation

Before system start-up, it is recommended that all systems be pressure tested, leak tested and purged with an inert gas such as nitrogen.

Prior to placing into service ensure that the regulator is in the fully closed position, with the adjusting mechanism turned completely anti-clockwise.

Check the model number reference to ensure that the pressure range complies with the installation requirements.

Visually inspect the regulator for any signs of damage or contamination. If any foreign materials are present and cannot be removed from the regulator, or if the threads on the regulator appear to be damaged, please contact the office immediately to arrange for the regulator to be returned for service.

The Inlet and Outlet ports are clearly marked. Select the correct size and type of connection fittings for these ports which are indicated in the regulators part number. Both British Standard Pipe (BSPP) 'B' and National Pipe Thread (NPT) 'N' options are available on this regulator. Use the correct dowty or bonded seal for BSPP connections, self centering seals are recommended. For NPT threads, ensure that PTFE tape is applied correctly to the fittings, applying two overlapping layers in the direction of the thread, taking care that the tape does not come into contact with the first thread. Any gauge ports on the regulator will be 1/4" NPT unless otherwise stated. If any gauge port is not required, ensure that the port is plugged prior to installation.

The media supplied to the regulator must be clean. Contamination can damage the seat which may cause the regulator to fail. Filtration suited to the application is recommended upstream of the regulator. Should further assistance or information be required in relation to installation of any Pressure Tech regulator please contact the office, giving reference to the regulators part number and/or serial number.

### **3. Operation**

Turning the adjusting mechanism clockwise compresses the spring, which in turn opens the main valve and allows the inlet pressure to pass through the seat orifice until the outlet pressure is equivalent to the loading forces set by the compressed spring. Increase the outlet pressure in this way until the desired pressure is achieved.

To reduce the outlet pressure, the adjusting mechanism should be turned anti-clockwise whilst the media is flowing, or whilst venting downstream of the regulator.

The desired outlet pressure should be set whilst increasing the pressure. Do not exceed the maximum inlet and outlet pressures of the regulator which are indicated on the regulator label.

### **4. Special Conditions for Safe Use**

The MF-101 series are non-venting type regulators, therefore the outlet pressure shall be reduced by venting downstream of the regulator whilst simultaneously turning the adjusting mechanism anti-clockwise.

### **5. Hazardous Location Usage**

This equipment has not been manufactured specifically for use in potentially explosive atmospheres and as such an ignition hazard assessment has not been carried out on this product. If the user should wish to use this product in such an environment where there may be a potentially explosive atmosphere then it is the responsibility of the user to conduct an ignition hazard assessment against 99/92/EC.

### **6. Servicing and Maintenance**

Servicing and maintenance work on the MF-101 regulators should only be performed after fully reading and understanding the Operating and Servicing Manual. Due to the typical nature of the gases the regulator can be used with, the operator should not endanger himself/herself or others by working on this regulator without prior knowledge on the Health and Safety concerns relating to handling of technical gases. Any uncertainty should be clarified with Pressure Tech before working on the regulator.

Pressure Tech Ltd recommends the use of Krytox GPL 205 during servicing.

Prior to commencing service, please ensure that:

- The equipment has been de-pressurised
- The load spring has been de-compressed by turning the adjusting mechanism fully anti-clockwise
- Applications involving toxic, flammable or corrosive media have been fully purged

To ensure the best possible results from servicing, when re-assembling the regulator and any assemblies within it, ensure that all areas of the components and the regulator body are cleaned and free from contaminants which may result in failure of the regulator.

## 6.1. Servicing the MF-101 (Unbalanced Non-venting Design)

\*Note: fig 1 should be used as a reference for the following set of instructions

### 6.1.1. Accessing the Main Valve Assembly

To access the Main Valve Assembly (MVA):

- i. With the flats of the Regulator Body (1) secured in a vice, loosen and remove the Bonnet (6) using a 47mm wrench ensuring that the Hand Wheel (10) is fully wound anti clock wise (*\*Ref. 6.1.2*)
- ii. Remove the 8mm Ball Bearing (2), Upper Spring Rest (7) and Load Spring (18)
- iii. Using needle nosed pliers, remove the Sensor Assembly (3, 4, 13)
- iv. The Seat Retainer (12) can then be removed using a 13mm socket  
\*Note: As the seat is a compression fit, it is likely that the soft seat will be secure in the retainer. As such it is always recommended to replace both the retainer and the soft seat during service
- v. Remove the Main Valve (5) and Main Valve Spring (15) from the assembly
- vi. Visually inspect the Main Valve (5) and Soft Seat (14) for damage under a microscope and replace as required
- vii. Place a new Main Valve Spring (15) and Main Valve (5) into the Regulator Body (1)
- viii. Replace the O-rings (16, 17) around the Sensor Holder (13)
- ix. Position the Sensor (3) into the Sensor Holder (13)  
IMPORTANT: Ensure that the Sensor Holder is correctly oriented, such that the counter bore is upright to accommodate the Lower Spring Rest (4) (*\*Ref. 6.1.3*)
- x. Screw the Lower Spring Rest (4) into the Sensor (3). To secure, grip the spring rest in a vice and use a 21mm open ended spanner or adjustable to tighten the sensor
- xi. Place the sensor assembly into the Regulator Body (1)
- xii. Position the Load Spring (18) on to the Lower Spring Rest (4) and place the Upper Spring Rest (7) and 8mm Ball Bearing (2) to the assembly
- xiii. Screw the Bonnet (6) onto the assembly and using a torque wrench with a 47mm open ended attachment, tighten to 90Nm

It is recommended that all parts in the repair kits are used. Any defect parts removed during the service should be disposed of. Parts should be kept clean in line with media requirements. Following re-assembly of the regulator, pressure tests should be made to both the inlet and outlet side of the regulator, to ensure there is no internal or external leakage across the regulator.

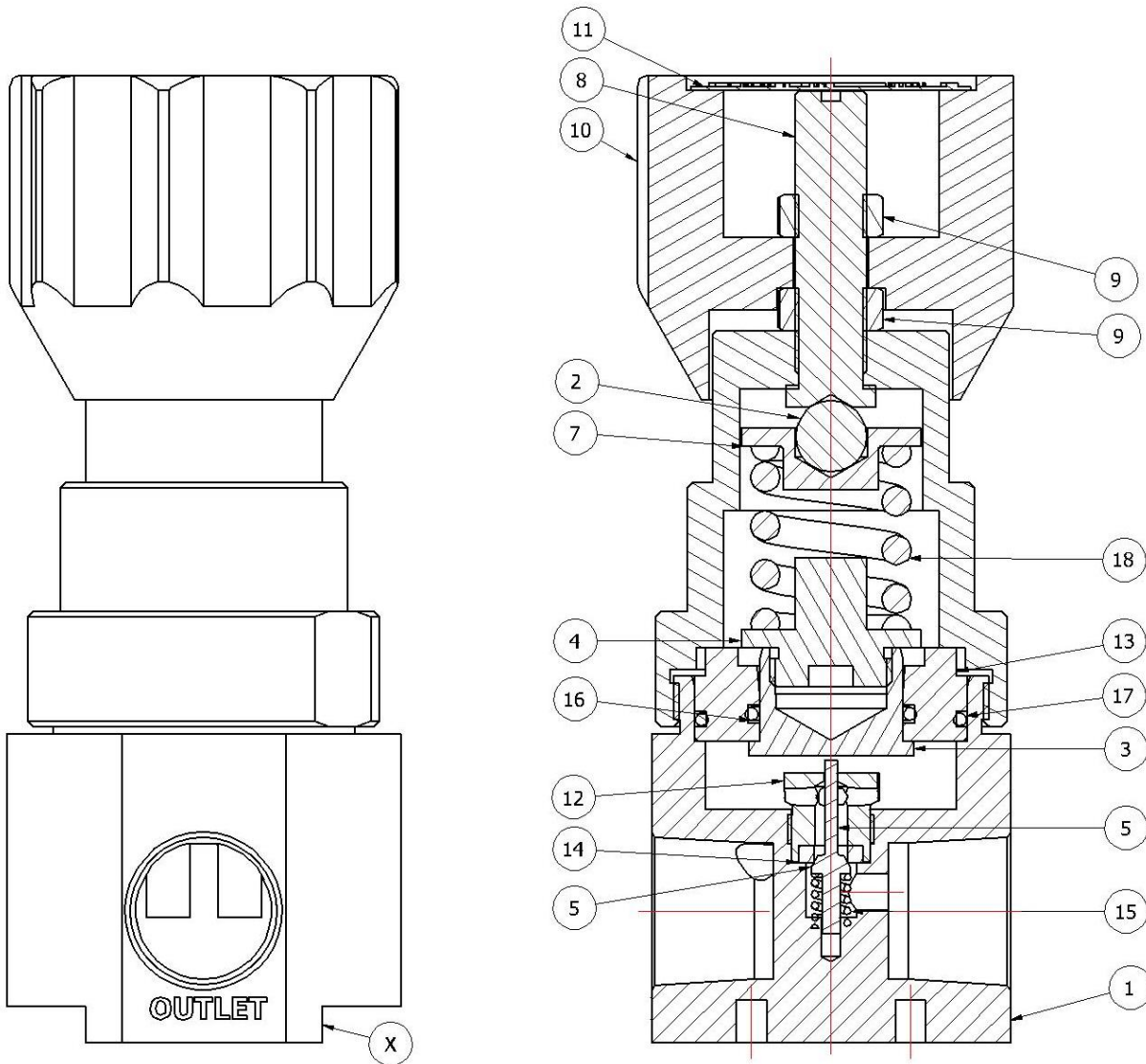
To ensure that the main valve assembly has been correctly and effectively installed it may be required to perform the appropriate seat leak test as per ANSI/FCI 70-2.

### 6.1.2. Adjusting the Set Point

It is not recommended (or necessary) to remove the Hand Wheel during service as this will affect the set point of the regulator. Should it be required to adjust the set point please follow the instructions below:

- i. Remove the Nameplate (11) and Cap from the Hand Wheel (10) and loosen the Lock Nut (9) such that the Hand Wheel is able to spin freely on the Adjusting Screw (8)
- ii. Connect the correct fittings to the Inlet and Outlet ports of the regulator. Ensure that any gauge ports are plugged or that the correct gauge is fitted
- iii. With the Regulator Body (1) secured in a vice apply the Maximum Working Pressure (MWP) to the Inlet of the regulator
- iv. Connect the Outlet port to a calibrated pressure test gauge appropriate to the required set pressure. As the regulator is non-venting, ensure that a ball/needle valve is fitted to allow pressure to be relieved downstream of the regulator
- v. Using a slotted screwdriver, turn the Adjusting Screw (8) clockwise until the desired set point has been reached
- vi. Ensure repeatability by allowing flow through the regulator using the ball/needle valve
- vii. With the outlet pressure set, screw the first Lock Nut (9) to the base of the Adjusting Screw (8) against the Bonnet (6)
- viii. Position the Hand Wheel (10) onto the Lock Nut (9). Ensure that the Lock Nut and Hand Wheel become engaged
- ix. Fasten the second Lock Nut (9) against the Hand Wheel (10) and gently begin to tighten using a 13mm socket until it begins to secure itself
- x. At this point, whilst holding the Hand Wheel (10) continue to tighten whilst simultaneously turning slightly anti-clockwise to prevent it from locking against the Bonnet (6)
- xi. Ensure that the Lock Nut (9) is sufficiently tightened, taking care not to adjust the set point
- xii. Turning of the Hand Wheel (10) should now also turn the Adjusting Screw (8) which will control the pressure
- xiii. Turn the Hand Wheel clockwise until it reaches its set point and check to make sure that the desired outlet pressure is correct.
- xiv. If the set point is not correct, repeat steps v. to xiii.
- xv. Reduce the pressure downstream by venting the pressure through ball/needle valve and then turning the Hand Wheel anti-clockwise until the regulator closes
- xvi. The Cap and Nameplate (11) can now be placed into the Hand Wheel (10). Ensure that the information stated on the Nameplate is in accordance with the set pressure of the regulator

6.1.3. Figure 1 – Sectional View of the MF-101 Unbalanced Design



PARTS LIST		
ITEM	PART NUMBER	DESCRIPTION
1	PT-101-MF-X-SS-04N	REGULATOR BODY
2	BALL-008-SS-316	8MM BALL BEARING
3	PT-101-001	SENSOR
4	PT-BP-301-003	LOWER SPRING REST
5	PT-C-001-009	MAIN VALVE
6	PT-C-015	BONNET
7	PT-C-017	UPPER SPRING REST
8	PT-C-019-003	ADJUSTING SCREW
9	PT-C-020	LOCKNUT
10	PT-C-021	SMALL HAND WHEEL
11	PT-C-022	NAMEPLATE
12	PT-C-080	SEAT RETAINER
13	PT-BP-301-001	SENSOR HOLDER
14	PT-C-081-XXX	SOFT SEAT VARIOUS
15	PT-C-006-007	MAIN VALVE SPRING
16	OR-0190-20	O-RING STD
17	OR-BS028	O-RING STD
18	PT-C-011-XXX	LOAD SPRING VARIOUS

## 6.2. Servicing the MF-101 (Balanced Self Venting Design)

\*Note: fig 2 should be used as a reference for the following set of instructions

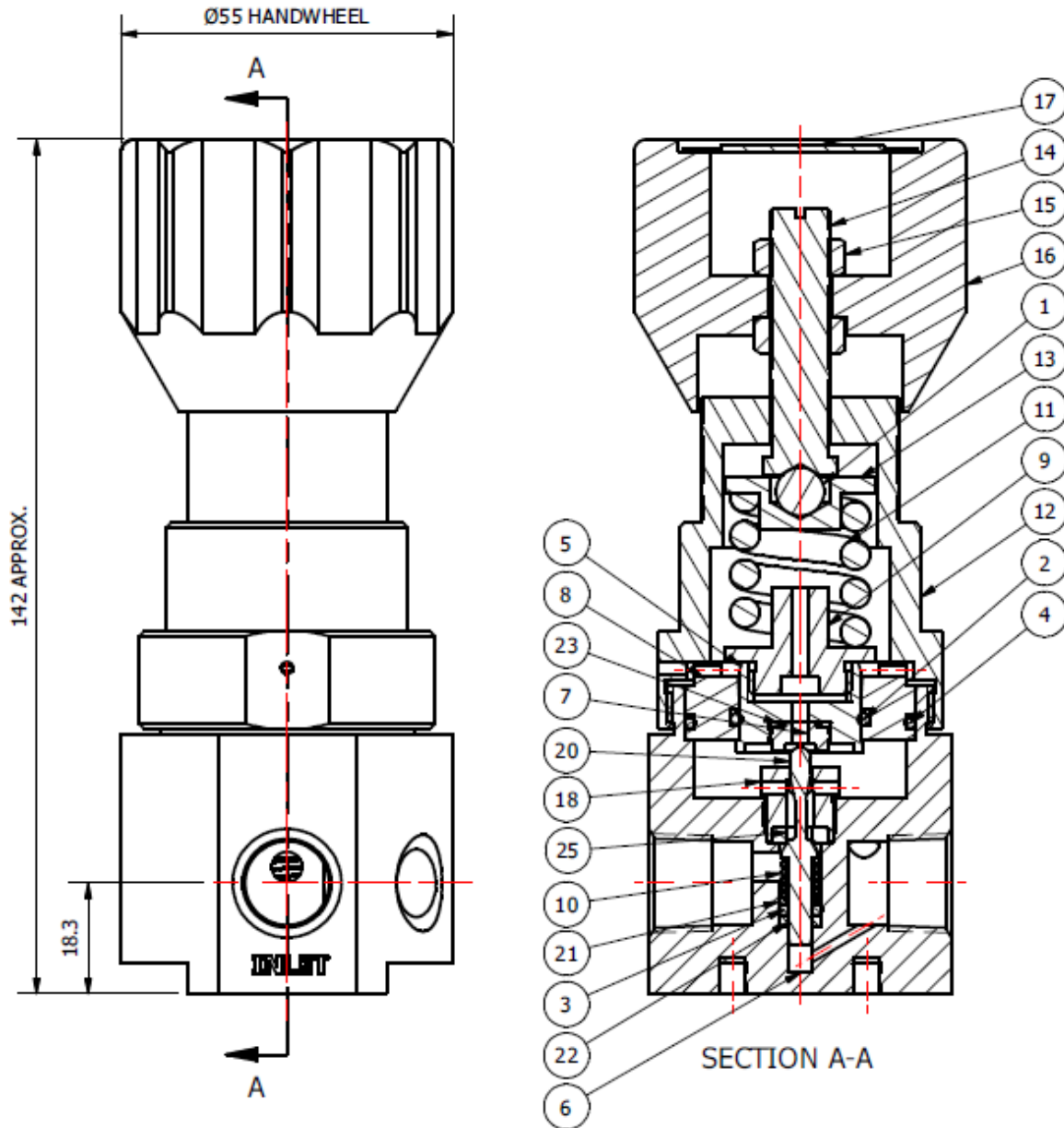
### 6.2.1. Accessing the Main Valve Assembly

To access the Main Valve Assembly (MVA):

- i. With the flats of the Regulator Body ( ) secured in a vice, loosen and remove the Bonnet ( ) using a 47mm wrench ensuring that the Hand Wheel ( ) is fully wound anti clock wise (*\*Ref. 6.1.2*)
- ii. Remove the 8mm Ball Bearing ( ), Upper Spring Rest ( ) and Load Spring ( )
- iii. Using needle nosed pliers, remove the Sensor Assembly ( )
- iv. The Seat Retainer ( ) can then be removed using a 13mm socket  
\*Note: As the seat is a compression fit, it is likely that the soft seat will be secure in the retainer. As such it is always recommended to replace both the retainer and the soft seat during service
- v. Carefully remove the Main Valve ( ) from the assembly, taking care not to damage the domed sealing face
- vi. Visually inspect the Main Valve ( ) and Soft Seat ( ) for damage under a microscope and replace as required
- vii. Replace the Main Valve Spring ( ), O-ring ( ) and Back up Rings ( , ) in the Regulator Body ( ) as required
- viii. \*NOTE: O-ring removal??
- ix. Secure the Lower Spring Rest in a vice and use a 21mm open ended spanner or adjustable to remove the Sensor ( )
- x.
- xi. Replace the O-rings ( , ) around the Sensor Holder ( )
- xii. Position the Sensor ( ) into the Sensor Holder ( )  
IMPORTANT: Ensure that the Sensor Holder is correctly oriented, such that the counter bore is upright to accommodate the Lower Spring Rest ( ) (*\*Ref. 6.1.3*)
- xiii. Screw the Lower Spring Rest ( ) into the Sensor. To secure, grip the spring rest in a vice and use a 21mm open ended spanner or adjustable to tighten the Sensor ( )
- xiv. Place the sensor assembly into the Regulator Body ( )
- xv. Position the Load Spring ( ) on to the Lower Spring Rest ( ) and place the Upper Spring Rest ( ) and 10mm Ball Bearing ( ) to the assembly
- xvi. Screw the Bonnet ( ) onto the assembly and using a torque wrench with a 47mm open ended attachment, tighten to 90Nm



6.2.2. Figure 2 – Sectional View of the MF-101 Balanced Design



PARTS LIST		
ITEM	PART NUMBER	DESCRIPTION
1	BALL-008-SS-316	8MM BALL BEARING
2	OR-0190-20	O-RING STD
3	OR-BS007	O-RING STD
4	OR-BS028	O-RING STD
5	PT-101-001-001	SENSOR SELF VENTING
6	PT-101-MF-X-SS-04N	REGULATOR BODY
7	PT-690-016-002	VENT SEAT
8	PT-BP-301-001-002	SENSOR HOLDER
9	PT-BP-301-003-002	LOWER SPRING REST
10	PT-C-006-009-001	MAIN VALVE SPRING
11	PT-C-011-XXX	LOAD SPRING VARIOUS
12	PT-C-015	BONNET
13	PT-C-017	UPPER SPRING REST
14	PT-C-019-003	ADJUSTING SCREW
15	PT-C-020	LOCKNUT
16	PT-C-021	SMALL HAND WHEEL
17	PT-C-022	NAMEPLATE
18	PT-C-080-005	SEAT RETAINER
20	PT-LCR-414-001-002	MAIN VALVE
21	PT-LCR-414-002	WASHER
22	PT-LCR-414-003	PTFE BACK UP
23	OR-0050-10	O-RING STD
25	PT-C-081-XXX	SOFT SEAT VARIOUS

## 7. Technical Data

Fluid Media: All gases and liquids compatible with materials of construction

Max Inlet Pressure:	<i>Valve Assembly</i>	<i>Seat Material</i>	<i>Pressure</i>
	Unbalanced	PCTFE	100 bar (1500 Psi)
	Balanced	PCTFE	300 bar (4350Psi)
	Balanced	PEEK®	414 bar (6000 Psi)

Outlet Pressure Range: 0-35 bar (510Psi)

Operating Temperature: -20°C to +80°C Nominal

Materials:	Body / Trim	HT Brass 316 SS
	Seat	PCTFE PEEK®

Flow Capacity (Cv): 0.5

Leakage:	Gas	Bubble tight
	Liquid	Zero drops of water at max inlet

## 8. Warranty Statement

Pressure Tech Ltd guarantee all products correspond with their specification at the time of delivery and, with exception to wear and tear, wilful damage, negligence, and abnormal working conditions, will be free from defects for a period of 12 months from date of delivery.