

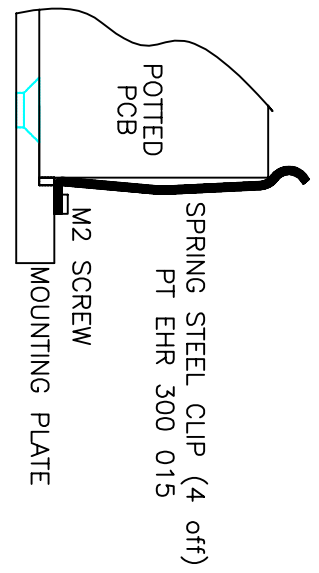
102-003-SHX-1P-2A
DRG. No.

DO NOT SCALE

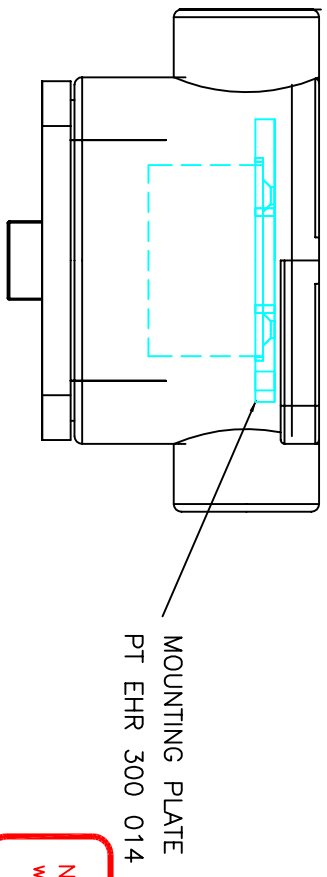
THIRD ANGLE PROJECTION

IF IN DOUBT - ASK!

THIS DRAWING IS THE PROPERTY OF PRESSURE TECH AND MUST NOT BE REPRODUCED OR PARTIALLY REPRODUCED NOR DISCLOSED TO A THIRD PARTY NOR USED FOR ANY PURPOSE WITHOUT THE WRITTEN CONSENT OF THE COMPANY.

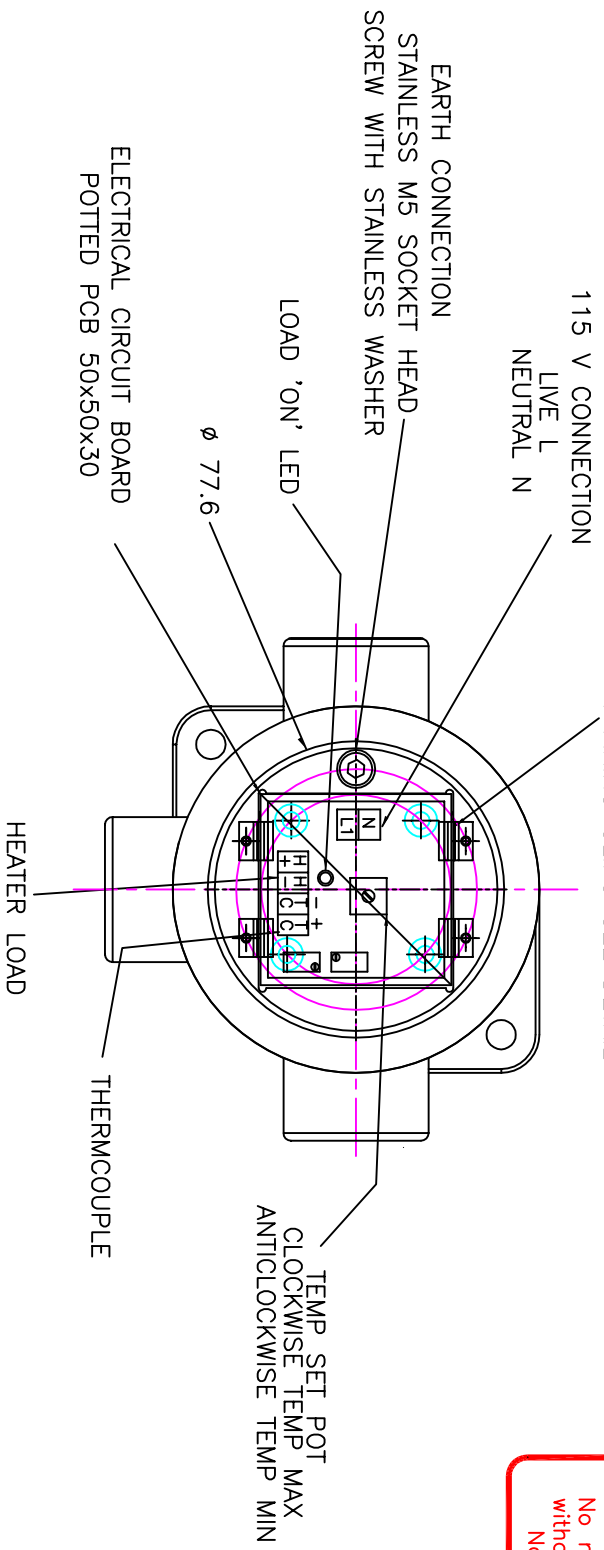


DETAIL OF SPRING STEEL FIXING CLIPS
2 x FULL SIZE



Controlled Drawing
No modification permitted
without the approval of the
"authorised person"

Schedule Drawing
No modification permitted
without reference to the
Notified Body



ELECTRICAL CIRCUIT BOARD
POTTED PCB 50X50X30

ISSUE	A	B
C.N. No.	DRIG	12-40
DATE	19/04/06	21/08/07
SIG.	JKS	JKS

TOLERANCES--	FINISH--
GENERAL = ± 0.25	MACHINE FINISHED ✓
CASTING = ± 0.50	UNLESS OTHERWISE STATED
FABRICATION = ± 1.0	REMOVE ALL BURRS AND SHARP EDGES.

TITLE	CIRCUIT BOARD ASSEMBLY
USED ON ASS'Y	

MATERIAL	TREATMENT	SCALE
		1 : 1
<p>Unit 6, Graphite Way, Hodfield, Glossop, Derbyshire, SK13 1QG</p> <p>PRESSURE TECH</p> <p>Tel 01457 899307 Fax 01457 899308 Mobile 07808 171741 e-mail info@pressure-tech.com www.pressure-tech.com</p>		

DRAWN	JKS	19.04.06
CHECKED		21.08.07
APPROVED		
DRG. No.		A2-PT-XHS-300-201

ALL DIMENSIONS IN MILLIMETRES UNLESS OTHERWISE STATED. © COPYRIGHT OF PRESSURE TECH LTD.