

XHM410 Datasheet

HEATED MANIFOLD BLOCK



● Gas ● Liquid | Max Pressure: 300 bar (4,350 psi)



INTRODUCING THE XHM410...

The XHM410 is a simple and compact heated manifold block to heat sample stream or probes with two 1/4" flow channels and a 1/8" NPT instrumentation port.

Certified to ATEX, IECEx and CSA, the XHM410 is approved for use in hazardous areas. Featuring a single 150W heater cartridge it is available with a choice of universal 115V or 230V AC power supply.

In addition, its electrical enclosure meets the requirements of IP66 and NEMA 4 specifications.

ATEX MARKING

The marking on the equipment includes the following information:

Ex II 2 G

Ex d IIC Gb T3 Ta = -40°C to +60°C

FEATURES AND BENEFITS

1 ATEX, IECEX & CSA CERTIFIED

Certified for use in hazardous areas.

2 ALTERNATIVE MATERIALS AVAILABLE

Manifold is available in aluminium or 316 stainless steel to suit user's application.

3 DIGITAL TEMPERATURE READOUT

Digital display of set point or actual temperature. Temperature shown in units of either °C or °F.

4 OPTIONAL POWER SUPPLY

115V AC or 230V AC.

5 LOCAL OR REMOTE ADJUSTMENT

Local or remote temperature setpoint adjustment via analogue 4-20mA input signal.

PRODUCT CERTIFICATIONS



STANDARD MATERIALS OF CONSTRUCTION

PART	MATERIALS
Manifold Block	ASTM A479 316/316L Stainless Steel (UNS S31600/S31603)
Electric Enclosure	Aluminium or ASTM A743 CF8M investment-cast 316 Stainless Steel (UNS J93254)

SPECIFICATION

Max. Pressure	300 bar (4,350 psi)
Service	Gas or Liquid
Power Supply	115V or 230V AC
Weight	2.5kg (5.5lbs)

NOTE: Product availability and specifications contained herein are subject to change without notice. Consult local distributor or factory for potential revisions and/or service related issues. Pressure Tech Ltd support with product selection recommendations only - it is the users responsibility to ensure the product is suitable for their specific application requirements.



PRESSURE TECH LTD

Unit 24, Graphite Way, Hadfield, Glossop, Derbyshire, UK, SK13 1QH

+44 (0)1457 899 307 | sales@pressure-tech.com | www.pressure-tech.com

DESIGNED, MANUFACTURED AND BUILT IN THE UK

© 2025 Pressure Tech Ltd. All Rights Reserved.

100325

PAGE:
1 OF 5

XHM410 Datasheet

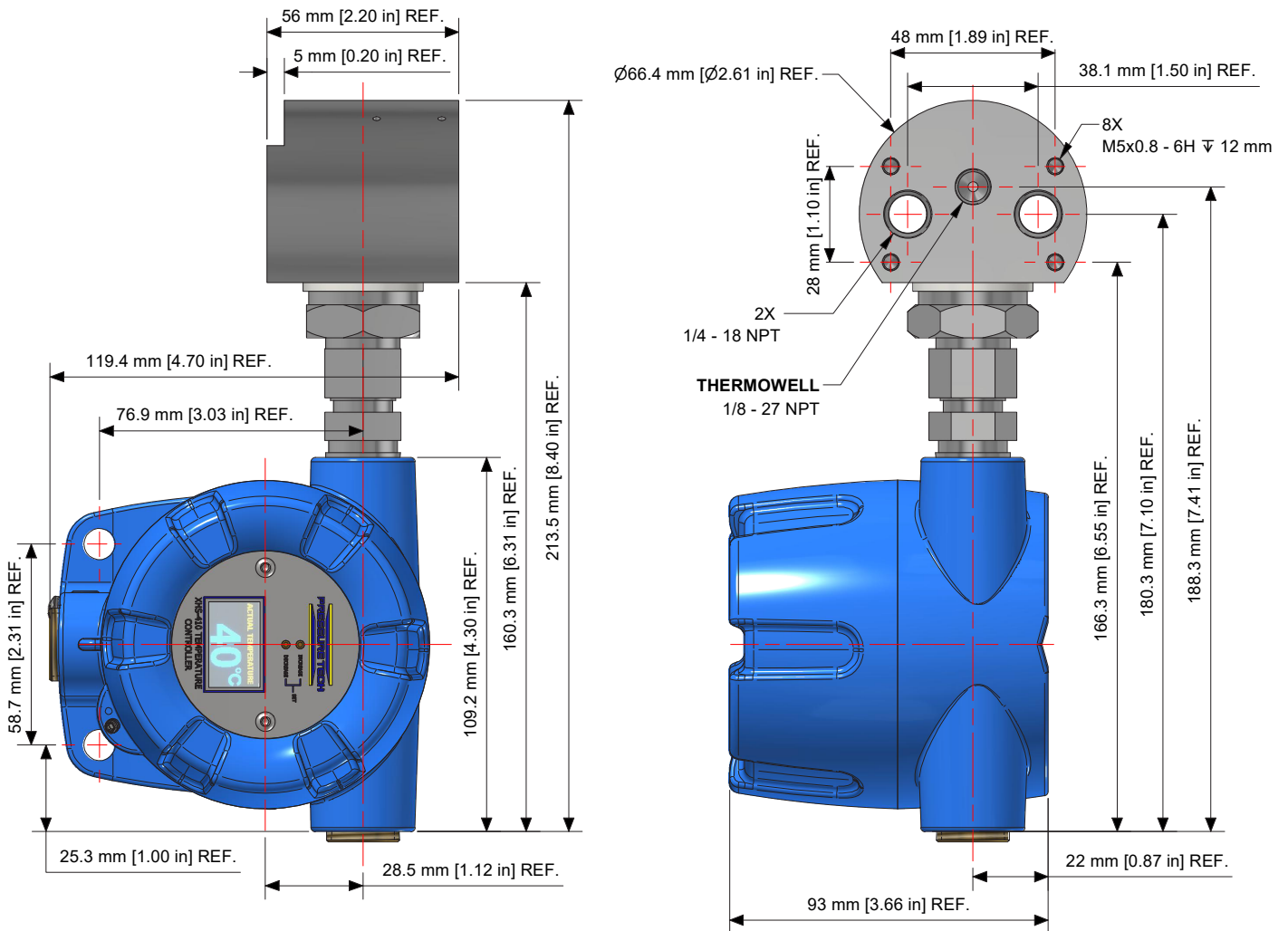
HEATED MANIFOLD BLOCK



Gas
 Liquid
 | Max Pressure: 300 bar (4,350 psi)

DRAWINGS AND INSTALLATION DIMENSIONS

Dimensions shown for 1/8" NPT option and standard configurations only - please contact the office for other options.



Note:

A narrower 32mm (1 1/4") version is available - please contact the office

NOTE: Product availability and specifications contained herein are subject to change without notice. Consult local distributor or factory for potential revisions and/or service related issues. Pressure Tech Ltd support with product selection recommendations only - it is the users responsibility to ensure the product is suitable for their specific application requirements.



PRESSURE TECH LTD

Unit 24, Graphite Way, Hadfield, Glossop, Derbyshire, UK, SK13 1QH

+44 (0)1457 899 307 | sales@pressure-tech.com | www.pressure-tech.com

DESIGNED, MANUFACTURED AND BUILT IN THE UK

© 2025 Pressure Tech Ltd. All Rights Reserved.

100325

PAGE:
2 OF 5

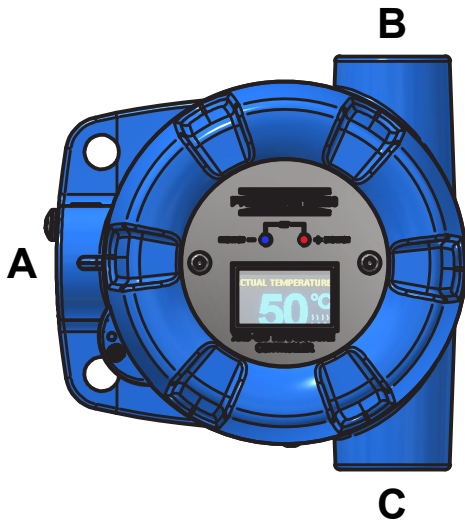
XHM410 Datasheet

HEATED MANIFOLD BLOCK



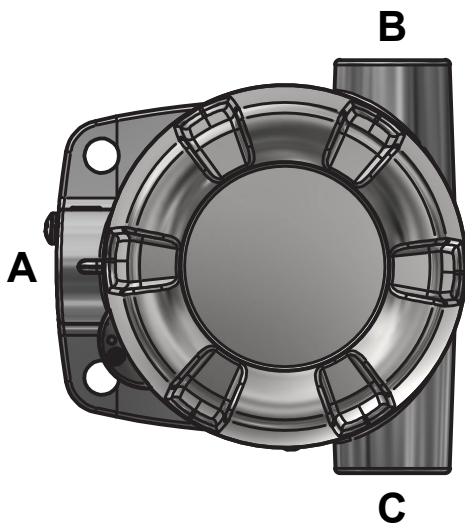
Gas
 Liquid
 | Max Pressure: 300 bar (4,350 psi)

ENCLOSURE OPTIONS



ALUMINUM (WITH WINDOW)

ENCLOSURE OPTIONS				
-	CONDUIT (A)	CONDUIT (B)	CONDUIT (C)	
ALUMINIUM WITH WINDOW	A	1/2" NPT	1/2" NPT	1/2" NPT
	B	NONE	1/2" NPT	1/2" NPT
	C	NONE	M20	M20
ALUMINIUM SOLID COVER	D	1/2" NPT	1/2" NPT	1/2" NPT
	E	NONE	1/2" NPT	1/2" NPT
	F	NONE	M20	M20
STAINLESS STEEL WITH WINDOW	G	1/2" NPT	1/2" NPT	1/2" NPT
	H	NONE	1/2" NPT	1/2" NPT
	J	NONE	M20	M20
STAINLESS STEEL SOLID COVER	K	1/2" NPT	1/2" NPT	1/2" NPT
	L	NONE	1/2" NPT	1/2" NPT
	M	NONE	M20	M20



STAINLESS STEEL (SOLID COVER)

NOTE: Product availability and specifications contained herein are subject to change without notice. Consult local distributor or factory for potential revisions and/or service related issues. Pressure Tech Ltd support with product selection recommendations only - it is the users responsibility to ensure the product is suitable for their specific application requirements.



PRESSURE TECH LTD

Unit 24, Graphite Way, Hadfield, Glossop, Derbyshire, UK, SK13 1QH

+44 (0)1457 899 307 | sales@pressure-tech.com | www.pressure-tech.com

DESIGNED, MANUFACTURED AND BUILT IN THE UK

© 2025 Pressure Tech Ltd. All Rights Reserved.

100325

PAGE:
3 OF 5

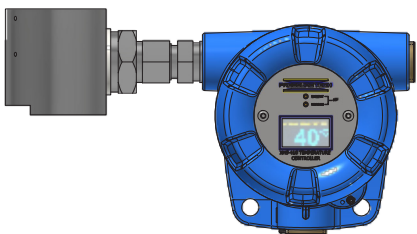
XHM410 Datasheet

HEATED MANIFOLD BLOCK

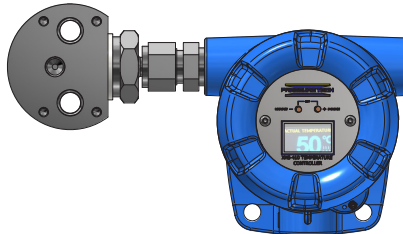


● Gas ● Liquid | Max Pressure: 300 bar (4,350 psi)

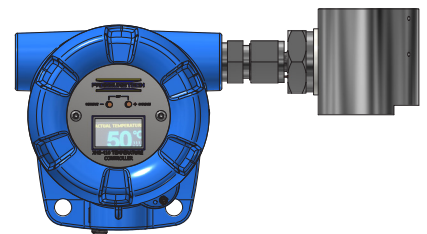
ASSEMBLY CONFIGURATIONS



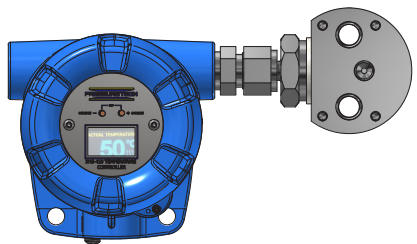
A



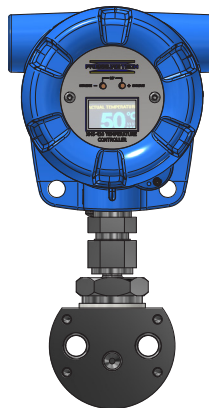
B



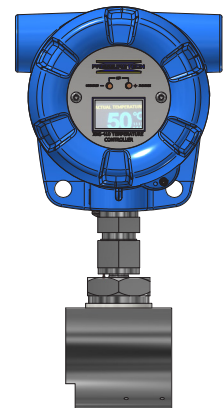
C



D



E



F

Notes:

Additional assembly configurations are available - please contact the office for further information.

NOTE: Product availability and specifications contained herein are subject to change without notice. Consult local distributor or factory for potential revisions and/or service related issues. Pressure Tech Ltd support with product selection recommendations only - it is the users responsibility to ensure the product is suitable for their specific application requirements.



PRESSURE TECH LTD

Unit 24, Graphite Way, Hadfield, Glossop, Derbyshire, UK, SK13 1QH

+44 (0)1457 899 307 | sales@pressure-tech.com | www.pressure-tech.com

DESIGNED, MANUFACTURED AND BUILT IN THE UK

© 2025 Pressure Tech Ltd. All Rights Reserved.

100325

PAGE:
4 OF 5

XHM410 Datasheet

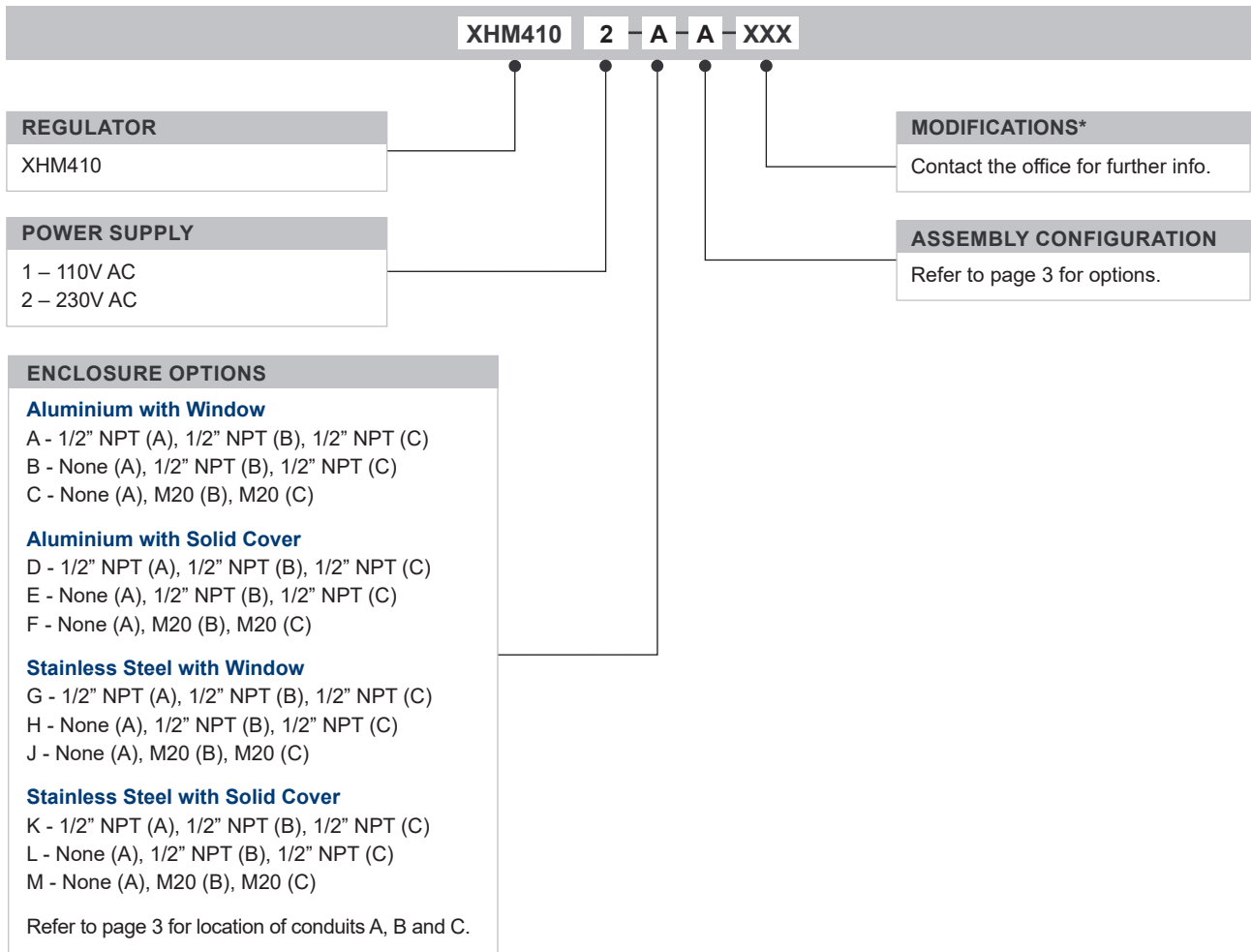
HEATED MANIFOLD BLOCK



● Gas ● Liquid | Max Pressure: 300 bar (4,350 psi)

ORDERING INFORMATION

To build a Pressure Tech part number, simply combine the characters identified below in sequence:



* Where applicable

NOTE: Product availability and specifications contained herein are subject to change without notice. Consult local distributor or factory for potential revisions and/or service related issues. Pressure Tech Ltd support with product selection recommendations only - it is the users responsibility to ensure the product is suitable for their specific application requirements.



PRESSURE TECH LTD

Unit 24, Graphite Way, Hadfield, Glossop, Derbyshire, UK, SK13 1QH
+44 (0)1457 899 307 | sales@pressure-tech.com | www.pressure-tech.com

DESIGNED, MANUFACTURED AND BUILT IN THE UK

© 2025 Pressure Tech Ltd. All Rights Reserved.

100325

PAGE:
5 OF 5