

XHS410 数据表

电加热压力减压阀



● 气体 ● 液体 | ● 隔膜感应 ● 活塞 | ● 自排泄 ● 无排泄 | 最大入口压力: 414 bar (6,000 psi) | 最大出口压力: 35 bar (510 psi) | Cv 0.06



XHS410 简介...

XHS410 是一款经济型单加热调节器，提供侧入式 (SE) 或在线 (IL) 传热选项，以将样气保持在蒸气状态。SE 设计可用于传热不太关键的应用以及安装有高度限制的地方。IL 设计通过螺旋加工的加热器护套最大限度地提高传热面积，从而混合气体并确保高效的传热。

XHS410 通过了 ATEX、IECEX 和 CSA 认证，其电气外壳符合 IP66 和 NEMA 4 规范的要求。

ATEX 和 IECEX 标志

设备上的标记包括:

Ex II 2 G

Ex db IIC T3 Gb

-40°C ≤ Ta ≤ 60°C

CE 2183

产品认证



标准建筑材料

部分	材料
阀体和阀盖	ASTM A479 316/316L 不锈钢 (UNS S31600/S31603)
主阀销	ASTM A479 316/316L 不锈钢 (UNS S31600/S31603)
软阀座	PEEK™ (450G)
主阀弹簧	铬镍铁合金® X750 (UNS N07750)
隔膜	铬镍铁合金® X750 (UNS N07750)
O型圈	FKM/FPM (Viton)
电箱外壳	铝 (或 ASTM A479 316/316L 不锈钢)

规格

最大限度。额定入口压力	414 bar (6,000 psi)
出口压力范围	高达 35 bar (510 psi)
设计耐压	150% 最大工作压力
阀座泄漏标准	符合 ANSI/FCI 70-3
重量	4.1kg (9lbs)

注: 压力调节器额定值可能受到连接类型、Cv 和/或阀座材料的限制。请联系办公室了解具体的压力或温度要求。

美国和加拿大标记

设备上的标记包括:

US and CAN: CL I, D1 T3 Gps A-D

US: CL1, Zone 1 AEx db IIC T3 Gb

CAN: Ex db IIC T3 Gb (as IEXEx)

Ta: -40 °C to 59°C

特点和优点

1 ATEX, IECEX & CSA 认证

可在危险区域使用。

2 不同材料选择

铝制或 316 不锈钢材质可供选择。

3 数码温度显示

数字显示
设定点或实际温度 (°C 或°F)。

4 不同电源选择

110 或 230V AC.

5 温度调节选择

本地或远程温度
通过模拟调节设定点
4-20mA输入信号。

NOTE: Product availability and specifications contained herein are subject to change without notice. Consult local distributor or factory for potential revisions and/or service related issues. Pressure Tech Ltd support with product selection recommendations only - it is the users responsibility to ensure the product is suitable for their specific application requirements.



PRESSURE TECH LTD

Unit 24, Graphite Way, Hadfield, Glossop, Derbyshire, UK, SK13 1QH

+44 (0)1457 899 307 | sales@pressure-tech.com | www.pressure-tech.com

DESIGNED, MANUFACTURED AND BUILT IN THE UK

© 2025 Pressure Tech Ltd. All Rights Reserved.

170325

PAGE:
1 OF 7

XHS410 数据表

电加热压力减压阀

PRESSURE TECH

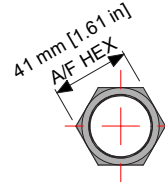
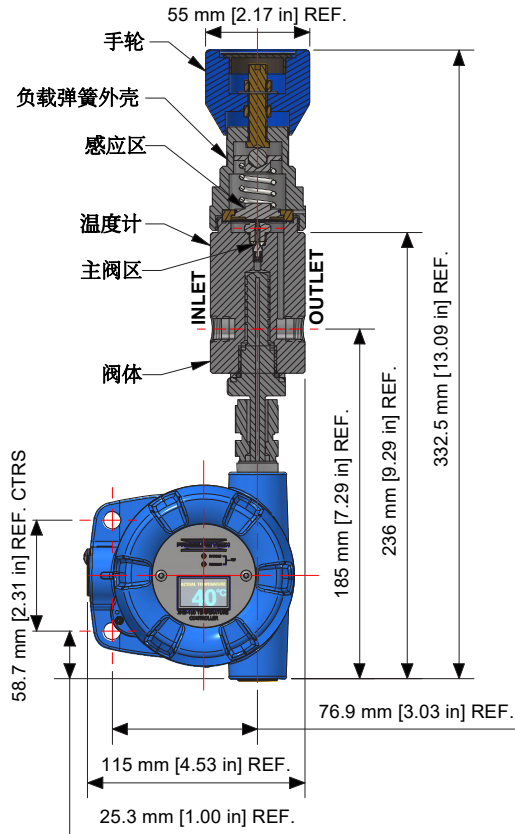
● 气体 ● 液体 |
 ● 隔膜感应 ● 活塞 |
 ● 自排泄 ● 无排泄 |
 最大入口压力: 414 bar (6,000 psi) |
 最大出口压力: 35 bar (510 psi) |
 Cv 0.06

图纸和安装尺寸

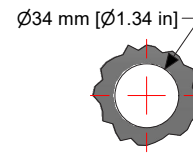
注: 所有压力表端口均采用 1/4" NPT 标准。

显示的尺寸仅适用于 1/4" NPT 选项和标准配置 - 请联系办公室了解其他选项。

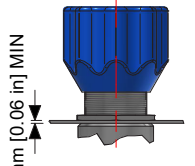
IN-LINE



面板安装环
(PT-C-024)
STAINLESS STEEL

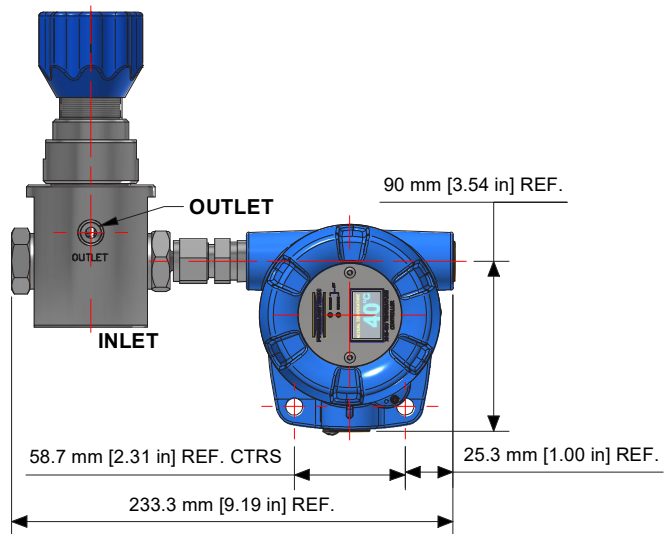
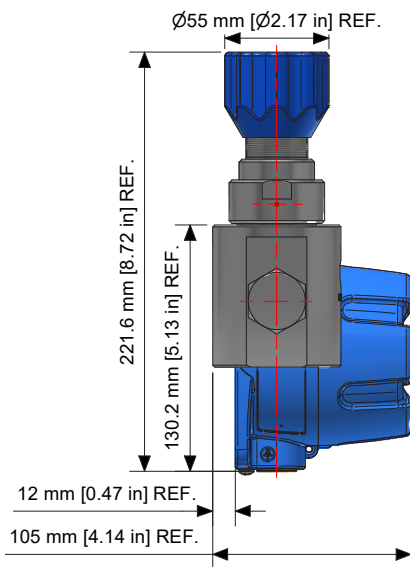


面板开孔



面板

SIDE-ENTRY



NOTE: Product availability and specifications contained herein are subject to change without notice. Consult local distributor or factory for potential revisions and/or service related issues. Pressure Tech Ltd support with product selection recommendations only - it is the users responsibility to ensure the product is suitable for their specific application requirements.



PRESSURE TECH LTD

Unit 24, Graphite Way, Hadfield, Glossop, Derbyshire, UK, SK13 1QH

+44 (0)1457 899 307 | sales@pressure-tech.com | www.pressure-tech.com

DESIGNED, MANUFACTURED AND BUILT IN THE UK

© 2025 Pressure Tech Ltd. All Rights Reserved.

170325

PAGE:
2 of 7

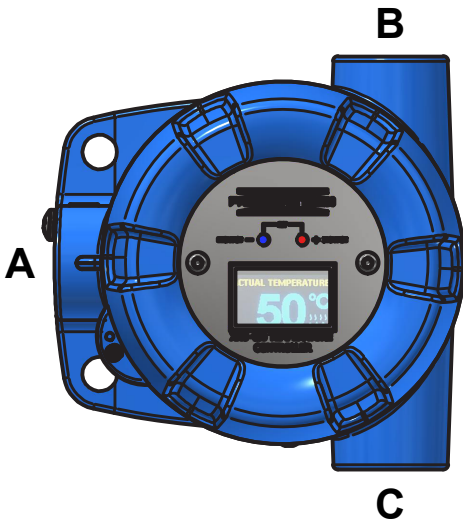
XHS410 数据表

电加热压力减压阀



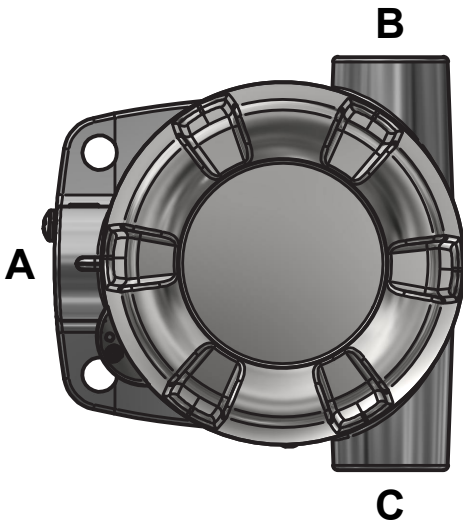
气体 液体 | 隔膜感应 活塞 | 自排泄 无排泄 | 最大入口压力: 414 bar (6,000 psi) | 最大出口压力: 35 bar (510 psi) | Cv 0.06

电箱外壳选项



铝制带窗展示

电箱外壳选项				
-	CONDUIT (A)	CONDUIT (B)	CONDUIT (C)	
铝制带窗展示	A	1/2" NPT	1/2" NPT	1/2" NPT
	B	NONE	1/2" NPT	1/2" NPT
	C	NONE	M20	M20
铝制实心盖	D	1/2" NPT	1/2" NPT	1/2" NPT
	E	NONE	1/2" NPT	1/2" NPT
	F	NONE	M20	M20
不锈钢带窗展示	G	1/2" NPT	1/2" NPT	1/2" NPT
	H	NONE	1/2" NPT	1/2" NPT
	J	NONE	M20	M20
不锈钢实心盖	K	1/2" NPT	1/2" NPT	1/2" NPT
	L	NONE	1/2" NPT	1/2" NPT
	M	NONE	M20	M20



不锈钢实心盖

NOTE: Product availability and specifications contained herein are subject to change without notice. Consult local distributor or factory for potential revisions and/or service related issues. Pressure Tech Ltd support with product selection recommendations only - it is the users responsibility to ensure the product is suitable for their specific application requirements.



PRESSURE TECH LTD

Unit 24, Graphite Way, Hadfield, Glossop, Derbyshire, UK, SK13 1QH

+44 (0)1457 899 307 | sales@pressure-tech.com | www.pressure-tech.com

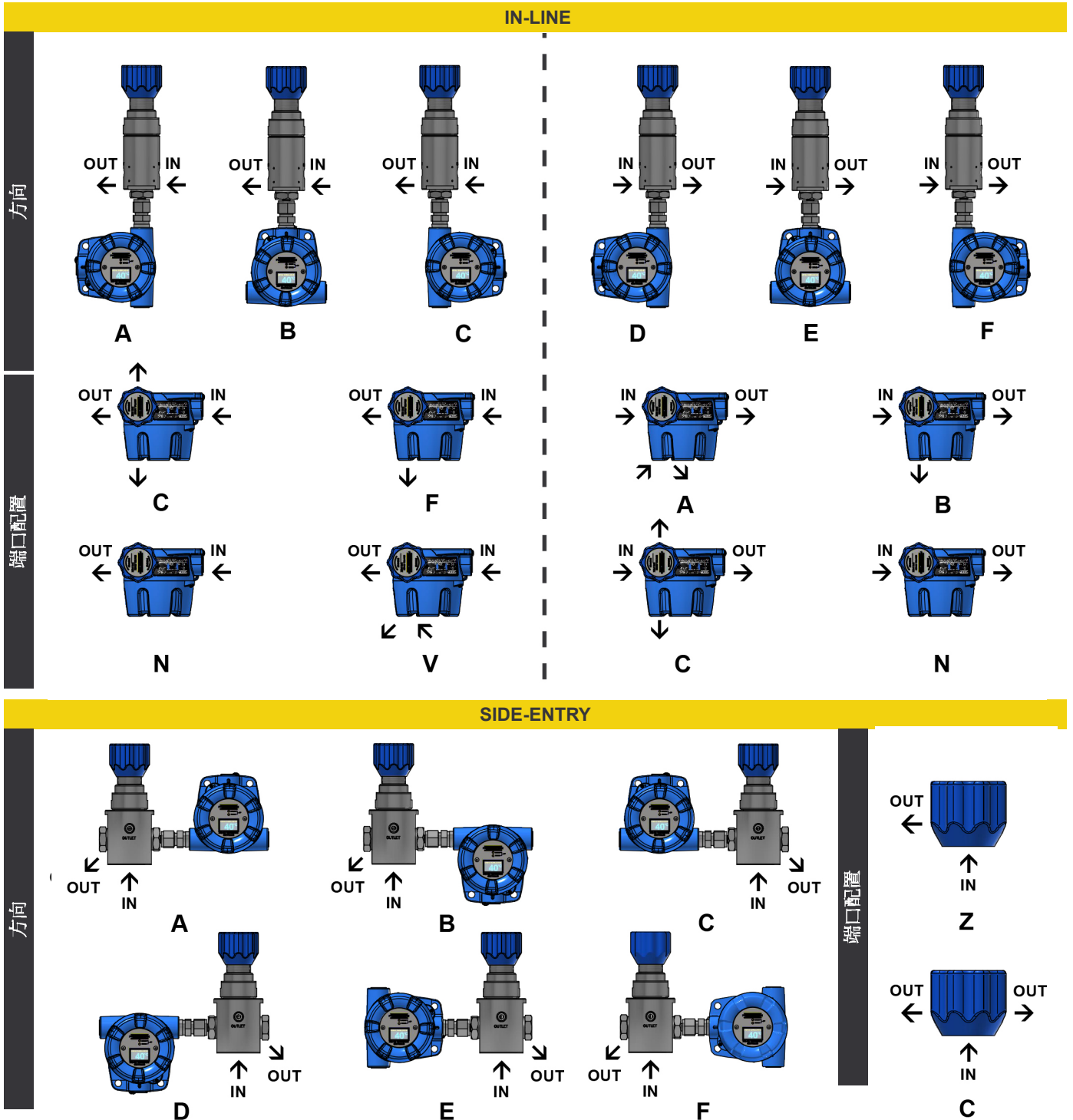
DESIGNED, MANUFACTURED AND BUILT IN THE UK

© 2025 Pressure Tech Ltd. All Rights Reserved.

气体 液体 | 隔膜感应 活塞 | 自排泄 无排泄 | 最大入口压力: 414 bar (6,000 psi) | 最大出口压力: 35 bar (510 psi) | Cv 0.06

装配方向

选择有效的组装，请选择所需的方向，然后与兼容的移植配置相结合。请注意 - 仪表端口必须位于朝前的位置。



NOTE: Product availability and specifications contained herein are subject to change without notice. Consult local distributor or factory for potential revisions and/or service related issues. Pressure Tech Ltd support with product selection recommendations only - it is the users responsibility to ensure the product is suitable for their specific application requirements.



PRESSURE TECH LTD

Unit 24, Graphite Way, Hadfield, Glossop, Derbyshire, UK, SK13 1QH

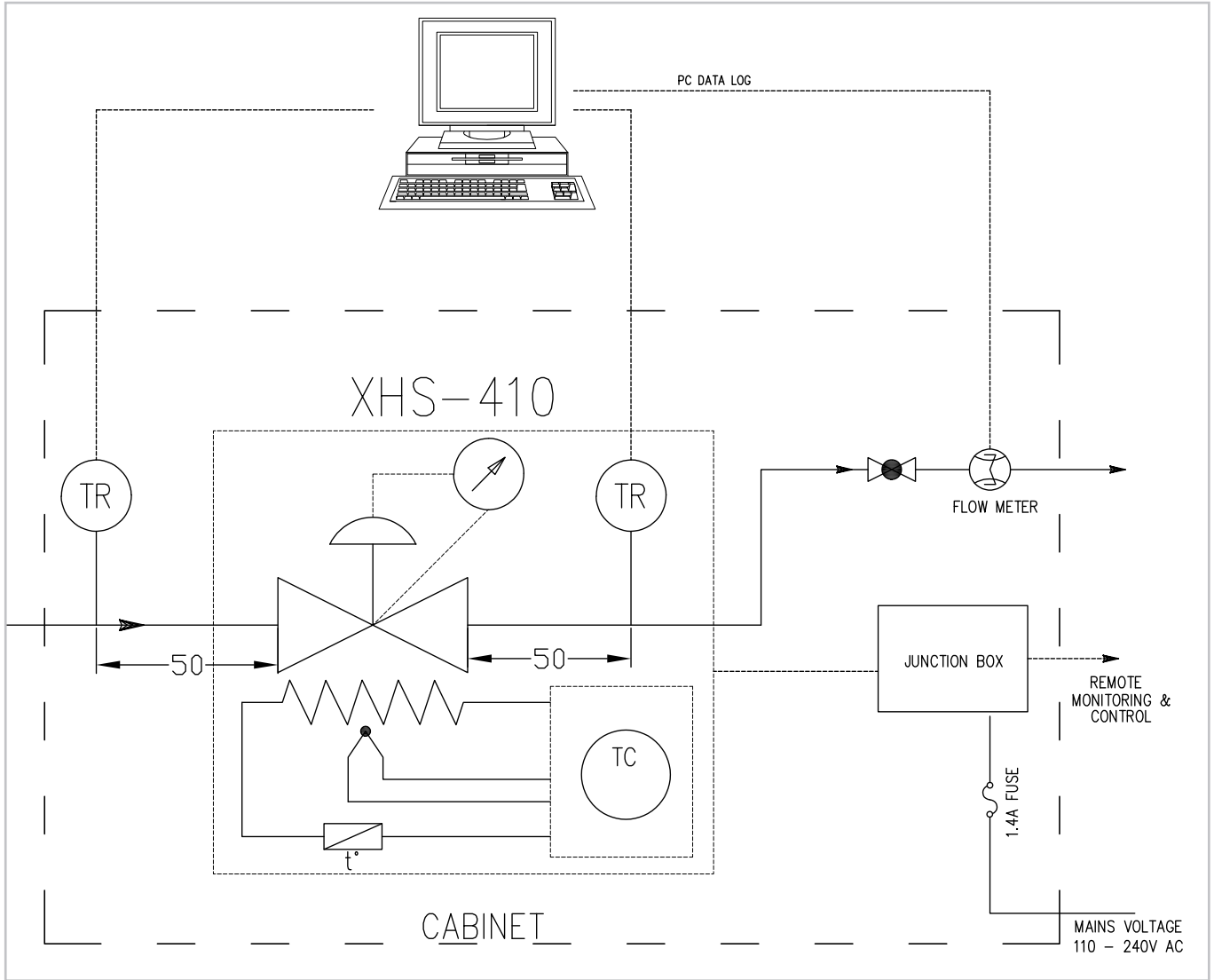
+44 (0)1457 899 307 | sales@pressure-tech.com | www.pressure-tech.com

DESIGNED, MANUFACTURED AND BUILT IN THE UK

© 2025 Pressure Tech Ltd. All Rights Reserved.

● 气体 ● 液体 |
 ● 隔膜感应 ● 活塞 |
 ● 自排泄 ● 无排泄 |
 最大入口压力: 414 bar (6,000 psi) |
 最大出口压力: 35 bar (510 psi) |
 Cv 0.06

流量测试布局图



NOTE: Product availability and specifications contained herein are subject to change without notice. Consult local distributor or factory for potential revisions and/or service related issues. Pressure Tech Ltd support with product selection recommendations only - it is the users responsibility to ensure the product is suitable for their specific application requirements.



PRESSURE TECH LTD
 Unit 24, Graphite Way, Hadfield, Glossop, Derbyshire, UK, SK13 1QH
 +44 (0)1457 899 307 | sales@pressure-tech.com | www.pressure-tech.com
DESIGNED, MANUFACTURED AND BUILT IN THE UK
 © 2025 Pressure Tech Ltd. All Rights Reserved.

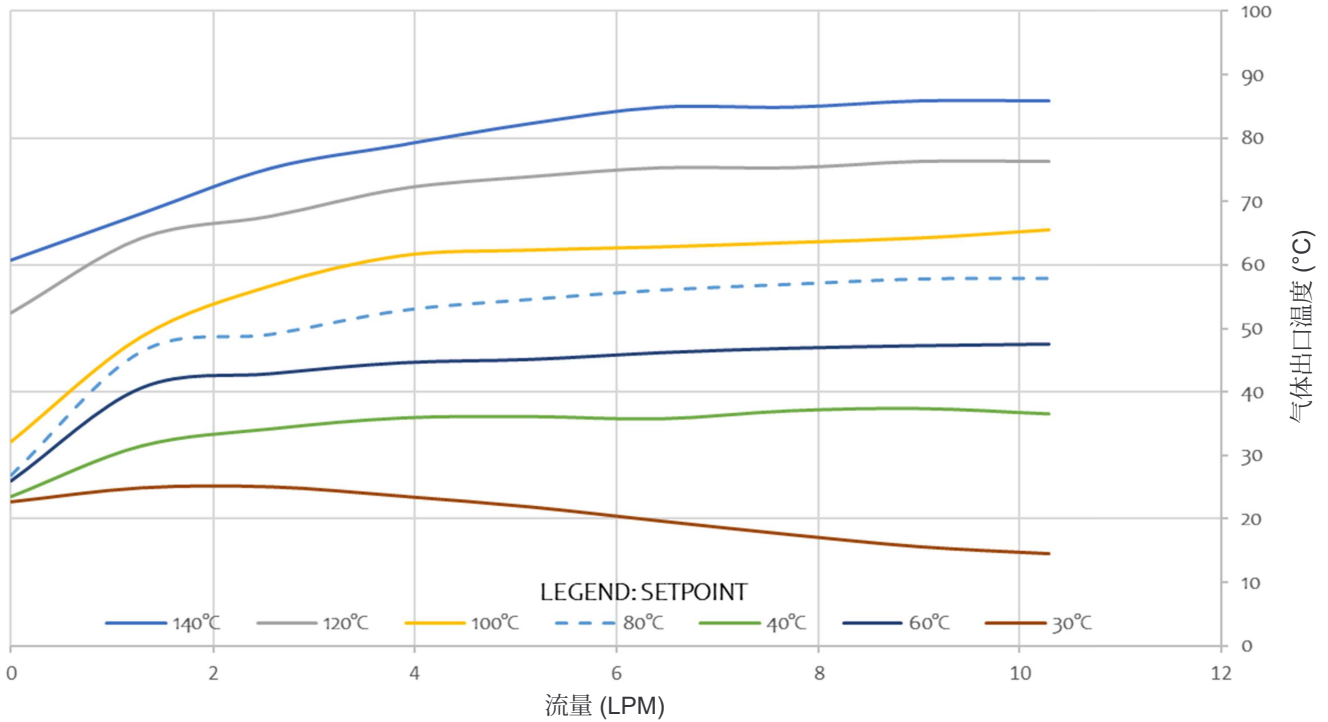
XHS410 数据表

电加热压力减压阀

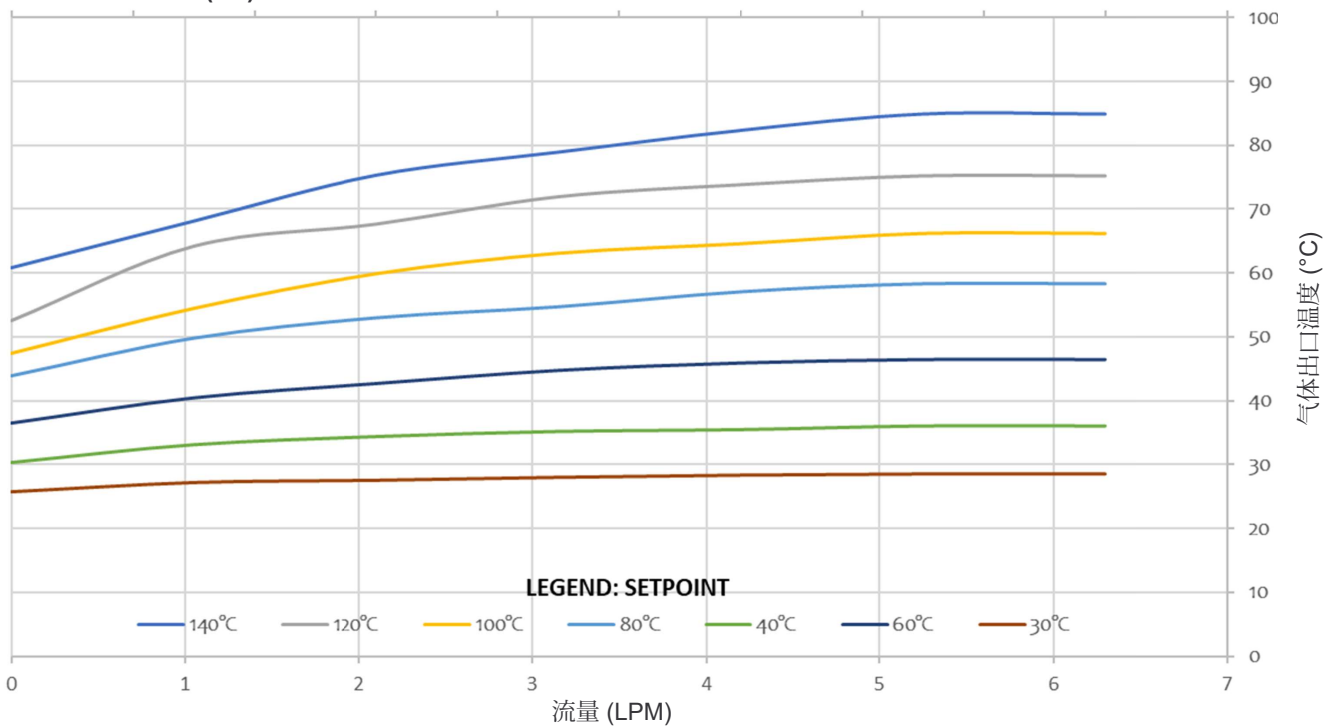


气体 液体 |
 隔膜感应 活塞 |
 自排泄 无排泄 |
 最大入口压力: 414 bar (6,000 psi) |
 最大出口压力: 35 bar (510 psi) |
 Cv 0.06

流量曲线 - 二氧化碳 (CO2)



流量曲线 - 氮气 (N2)



NOTE: Product availability and specifications contained herein are subject to change without notice. Consult local distributor or factory for potential revisions and/or service related issues. Pressure Tech Ltd support with product selection recommendations only - it is the users responsibility to ensure the product is suitable for their specific application requirements.



PRESSURE TECH LTD
 Unit 24, Graphite Way, Hadfield, Glossop, Derbyshire, UK, SK13 1QH
 +44 (0)1457 899 307 | sales@pressure-tech.com | www.pressure-tech.com
DESIGNED, MANUFACTURED AND BUILT IN THE UK
 © 2025 Pressure Tech Ltd. All Rights Reserved.

XHS410 数据表

电加热压力减压阀

PRESSURE TECH

● 气体 ● 液体

● 隔膜感应 ● 活塞

● 自排泄 ● 无排泄

最大入口压力: 414 bar
(6,000 psi)

最大出口压力: 35 bar
(510 psi)

Cv 0.06

订购信息

要构建PT零件号，只需按顺序组合下面标识的字符即可：

XHS410 - IL - S - 10 - M - 2 - A - B - N - XXX	
调节器型号/系列 XHS410	定制代码* 请联系办公室了解更多信息。
加热器盒位置 IL - In-Line SE - Side-Entry	端口配置 N - 无仪表端口 有关端口选项，请参阅第 4 页。
主体材料** S - ASTM A479 316/316L Stainless Steel	方向 请参阅第 4 页。
出口控制压力 04 - 高达 4 bar (58 psi) 10 - 高达 10 bar (145 psi) 20 - 高达 20 bar (290 psi) 35 - 高达 35 bar (510 psi)	电箱外壳选项 铝制带窗展示 A - 1/2" NPT (A), 1/2" NPT (B), 1/2" NPT (C) B - None (A), 1/2" NPT (B), 1/2" NPT (C) C - None (A), M20 (B), M20 (C) 铝制实心盖 D - 1/2" NPT (A), 1/2" NPT (B), 1/2" NPT (C) E - None (A), 1/2" NPT (B), 1/2" NPT (C) F - None (A), M20 (B), M20 (C) 不锈钢带窗展示 G - 1/2" NPT (A), 1/2" NPT (B), 1/2" NPT (C) H - None (A), 1/2" NPT (B), 1/2" NPT (C) J - None (A), M20 (B), M20 (C) 不锈钢实心盖 K - 1/2" NPT (A), 1/2" NPT (B), 1/2" NPT (C) L - None (A), 1/2" NPT (B), 1/2" NPT (C) M - None (A), M20 (B), M20 (C) 有关导管 A、B 和 C 的位置，请参阅第 3 页。
主阀座材料** K - PCTFE - 最高入口压力 300 bar/4,350 psi M - Polysulfone (PSU) - 最高入口压力 414 bar/6,000 psi P - PEEK™ - 最高入口压力 414 bar/6,000 psi	
电源 1 - 110V AC 2 - 230V AC	

额外选项

	零件编号	描述
维修套件	SRK-LF310...	多种选项可供选择
面板安装环	PT-C-024	-

注：可提供辅助设备和附加服务套件选项

TRADEMARKS: PEEK™ is a trademark of Victrex PLC
Inconel® is a registered trademark of Inco Alloys International

* Where applicable
** Other materials may be available - please contact the office

NOTE: Product availability and specifications contained herein are subject to change without notice. Consult local distributor or factory for potential revisions and/or service related issues.
Pressure Tech Ltd support with product selection recommendations only - it is the users responsibility to ensure the product is suitable for their specific application requirements.



PRESSURE TECH LTD

Unit 24, Graphite Way, Hadfield, Glossop, Derbyshire, UK, SK13 1QH

+44 (0)1457 899 307 | sales@pressure-tech.com | www.pressure-tech.com

DESIGNED, MANUFACTURED AND BUILT IN THE UK

© 2025 Pressure Tech Ltd. All Rights Reserved.

170325

PAGE:
7 OF 7