

# ACU-300 SERIES

## Gas Cylinder Auto-Changeover Unit



The ACU-300 incorporates two diaphragm sensed regulators into a single body to create a compact Auto-Changeover design. The automatic operation allows a continual supply of pressure between two gas bottles, and the second stage regulators ensures consistent pressure control under varying inlet pressure changes. Check Valves are fitted as standard to prevent gas escaping whilst bottles are replaced. Also available with optional flexible hoses, cylinder connectors, and gauges for quick installation.

### APPLICATIONS:

- Gas Analyzer Systems
- Life Support Systems
- Laboratories & Research Labs

### FEATURES:

Simple ½ turn operation with easy to read indication  
 0.01% variation in outlet pressure under decaying supply pressure  
 Convoluted Inconel X750 diaphragm for strength and flexibility  
 Easy to install

### STANDARD MATERIALS OF CONSTRUCTION

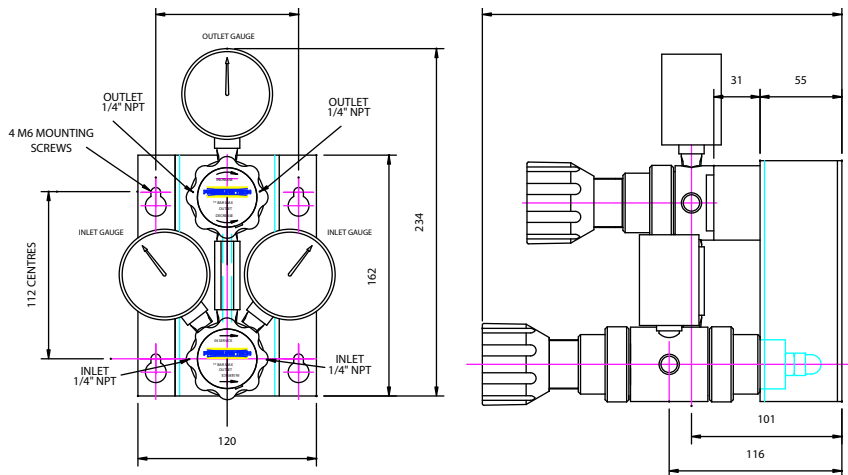
Regulator part	Material
Bodies and Bonnets	316SS
Main valve pin	316SS
Seat Cone	PCTFE
Valve spring	Inconel X750
Diaphragm	Inconel X750
Handwheel	Nylon
Diaphragm washer	Brass
Spring rests	316SS
Adjusting screw	AlI Bronze
Loading Spring	302SS
Spacer	PTFE

NOTE: Product availability and specifications contained herein are subject to change without notice. Consult local distributor or factory for potential revisions and/or service related issues. // pg 1 of 2

# ACU-300 SERIES

## Gas Cylinder Auto-Changeover Unit

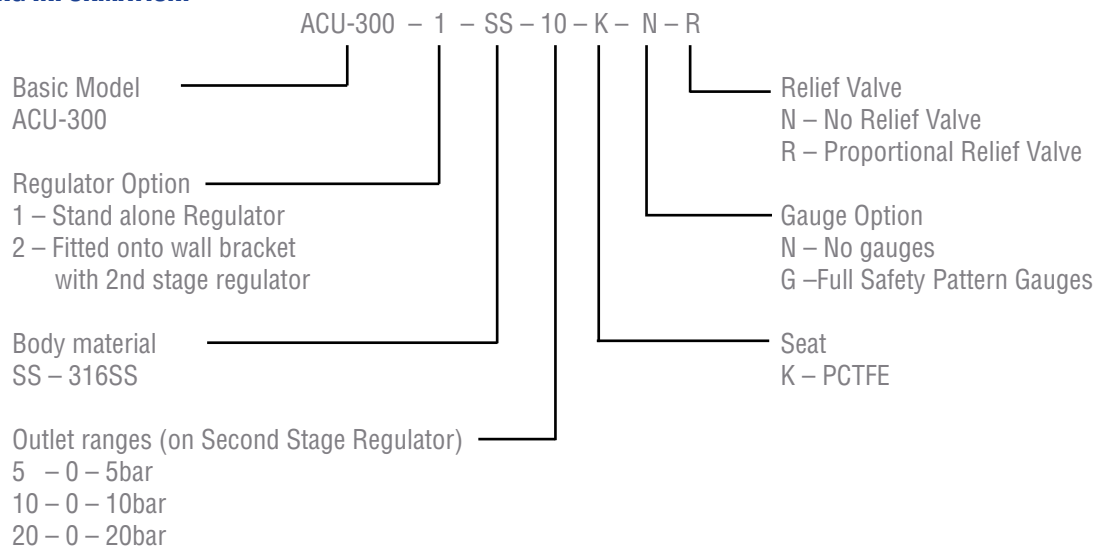
### INSTALLATION DIMENSIONS:



### SPECIFICATION :

- Max rated pressure ..... 210bar (3000psi)
- Outlet ranges ..... 0 to 20bar (300psi)
- Flow..... Cv 0.06
- Design Proof pressure .....150% max WP
- Leakage ..... Bubble tight at max WP (tested on Nitrogen)
- Weight ..... 4.4kg (8.8lbs) (when fitted with gauges and check valves)
- Inlet/outlet connections.....1/4\"NPT
- 2 x Inlet Check Valves – not shown
- Optional 'Full Safety Pattern' 63mm gauges
- Optional 'Interstage' Proportional Relief Valve

### ORDERING INFORMATION:



- Maximum outlet pressure can be set to specific requirements
- Changeover regulator will be set to approximately 10bar above second stage outlet pressure

NOTE: Product availability and specifications contained herein are subject to change without notice. Consult local distributor or factory for potential revisions and/or service related issues. // pg 2 of 2