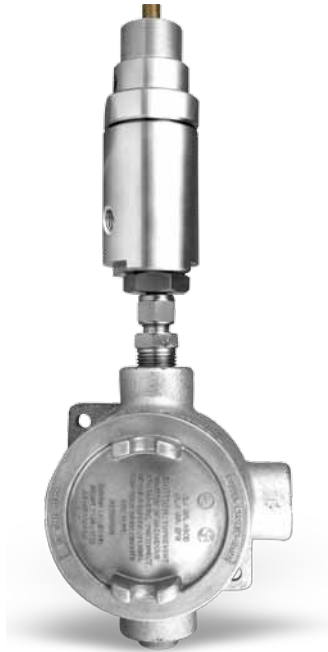


# XHS-300 Series

Diaphragm Sensed Pressure Regulator with Single 100W Heater



An economical heated regulator available in 'side entry' or 'in-line' heat transfer options to maintain sample gases in their vapour state. The 'in-line' design maximizes the heat transfer area via a unique spiral machined heater sheath, which mixes the gas and ensures efficient heat transfer. The 'side entry' design can be used in applications where heat transfer is less critical, and where installations have height restrictions. Both options incorporate an efficient 100W heater cartridge, and are fully serviceable to remove carbon deposits and maintain maximum heat transfer.

### Applications:

Natural Gas sample systems  
Oxygen sample systems  
Moisture sample system

### Features:

- IECEx, ATEX certified to EEx d IIC T3
- 100W Heater cartridge
- Strong Inconel X750 Convoluted diaphragm
- Easy to wire potted board with 115V or 230V supply
- Fully serviceable design
- Optional entry points for cable supply

### STANDARD MATERIALS OF CONSTRUCTION

Regulator part	Material
Body and Bonnet	316SS
Main valve pin	316SS
Soft seat cone	PEEK – 300bar inlet PCTFE - 210bar inlet
Valve spring	Inconel X750
Diaphragm	Inconel X750
Diaphragm washer	Brass
Cartridge Holder	316SS
'O' ring seals	Viton
Adjusting screw	AlI Bronze
Electric Enclosure	Coated Aluminium
Compression Fitting	316SS

NOTE: Product availability and specifications contained herein are subject to change without notice. Consult local distributor or factory for potential revisions and/or service related issues. // pg 1 of 3

PRESSURE TECH LTD, Unit 6, Graphite Way, Hadfield, Glossop, Derbyshire SK13 1QG  
Tel: +44 (0)1457 899307 Fax: +44 (0)1457 899308  
e-mail: info@pressure-tech.com

[www.pressure-tech.com](http://www.pressure-tech.com)

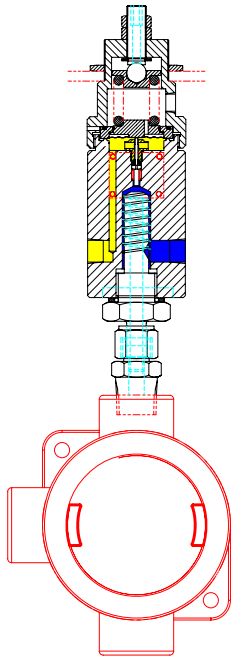


Designed and built in the UK



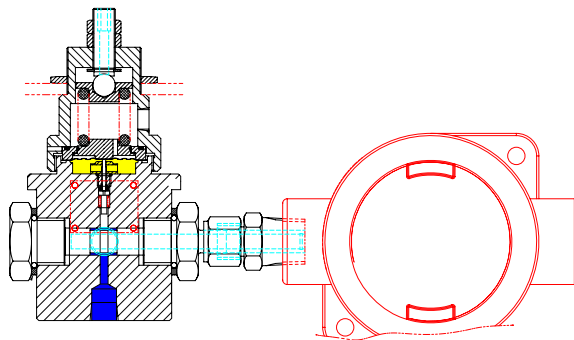
# XHS-300 Series

Diaphragm Sensed Pressure Regulator with Single 100W Heater



### SPECIFICATION :

Max rated inlet pressure ..300bar (4350psi) with PEEK seat  
 Outlet ranges ..... up to 35bar (500psi)  
 Design Proof pressure ..... 150% max WP  
 Leakage .....Bubble tight at max WP (tested on Nitrogen)  
 Weight ..... 3.2kg (1.5lbs)



### ORDERING INFORMATION:

XHS300 – IL – SS – 10 – K – 1 – B – N

Basic Model  
XHS300

Configuration  
IL - In-Line  
SE Side

Body material  
SS – 316SS

Outlet ranges (Examples\*)  
02 – 0 – 2bar  
04 – 0 – 4bar  
08 – 0 – 8bar  
10 – 0 – 10bar  
20 – 0 – 20bar  
35 – 0 – 35bar

Porting configuration  
Refer to office

Orientation  
Refer to page 3

Voltage supply  
1 – 115V  
2 – 230V

Seat  
K- PCTEE (max 210 BAR inlet)  
P- PEEK (max 300 BAR inlet)

Panel Mounting Ring: PT-C-024

NOTE: Product availability and specifications contained herein are subject to change without notice. Consult local distributor or factory for potential revisions and/or service related issues. // pg 2 of 3

PRESSURE TECH LTD, Unit 6, Graphite Way, Hadfield, Glossop, Derbyshire SK13 1QG  
 Tel: +44 (0)1457 899307 Fax: +44 (0)1457 899308  
 e-mail: info@pressure-tech.com

[www.pressure-tech.com](http://www.pressure-tech.com)



Designed and built in the UK

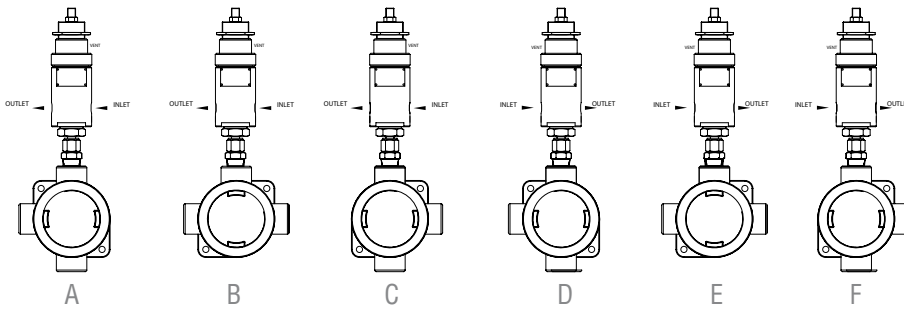


# XHS-300 Series

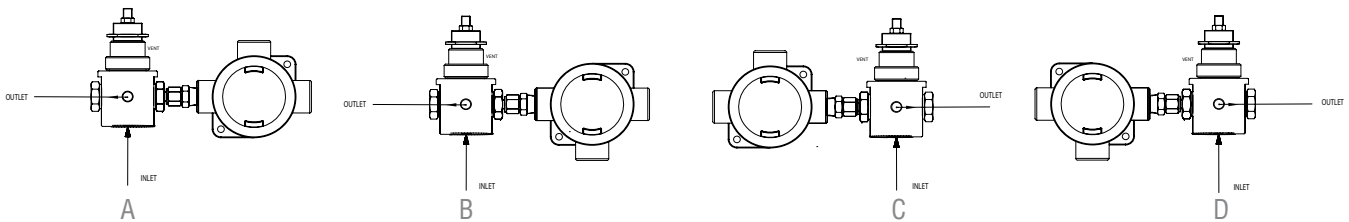
Diaphragm Sensed Pressure Regulator with Single 100W Heater

## CONFIGURATION:

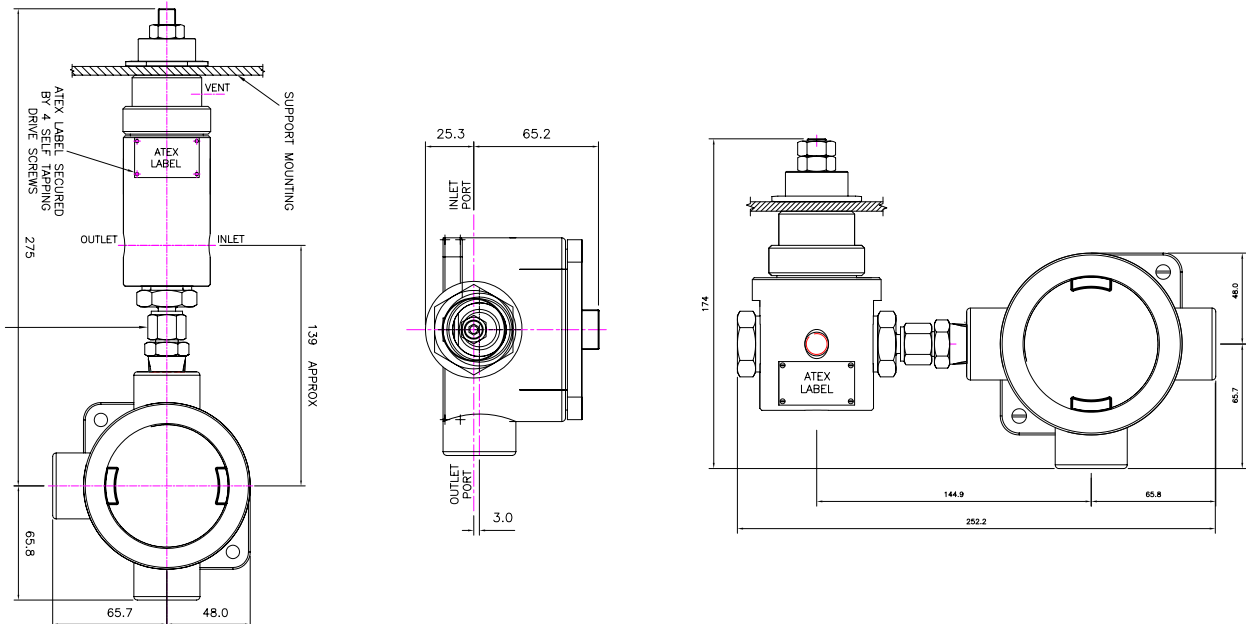
### IL OPTION



### SE OPTION



## DIMENSIONS:



NOTE: Product availability and specifications contained herein are subject to change without notice. Consult local distributor or factory for potential revisions and/or service related issues. // pg 3 of 3

PRESSURE TECH LTD, Unit 6, Graphite Way, Hadfield, Glossop, Derbyshire SK13 1QG  
 Tel: +44 (0)1457 899307 Fax: +44 (0)1457 899308  
 e-mail: info@pressure-tech.com

[www.pressure-tech.com](http://www.pressure-tech.com)



Designed and built in the UK

